

BiMAX 6N

655-675W

SP675M-66H

N-type TOPCon Bifacial
Ultra Black Dual Glass
Solar Module



LECO N-TYPE
Cell Technology



Half Cut Cell
Technology



SMBB Technology



Excellent
Anti-PID
Low LID
Performance

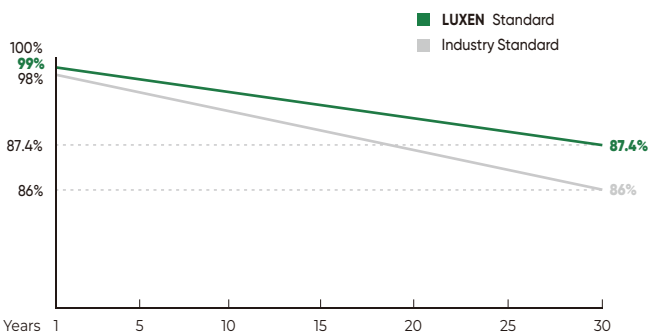


Less Hot Spot
Shading Effects



Higher Power Output
Lower BOS & LCOE

Linear Performance Warranty



* LUXEN N-TYPE: Standard warranty 15 years, can be extended up to 20 years.

Insured By



Comprehensive Certificates

- ISO9001:2015 QMS
- ISO14001:2015 EMS
- ISO45001:2018 OHSMS
- IEC61215/IEC61730 Standard Quality
- IEC61701/IEC62716 Salt/Mist/Ammonia Tests



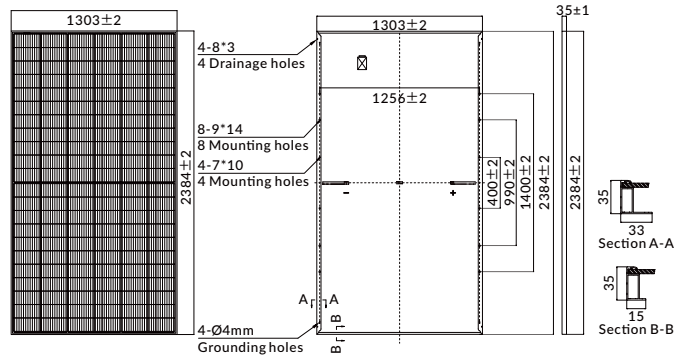
SUNPAL POWER CO., LTD.

Production HQ: No. 398 Ganquan Road, Hefei, Anhui, China.
T: +86 551 6586 5992 Email: info@sunpalpower.com

www.sunpalpower.com

MECHANICAL CHARACTERISTICS

Solar Cells	Mono
No. of Cells	132 (6x22)
Dimensions	2384 x 1303 x 35mm
Weight	34.0kg
Front Glass	3.2mm coated tempered glass
Frame	Anodized aluminium alloy
Junction Box	Ip68 rated (3 by pass diodes)
Output Cables	4.0mm ² 250mm (+) / 350mm (-) Length can be customized
Connectors	Mc4 compatible
Mechanical load test	5400Pa



ELECTRICAL PARAMETERS

POWER CLASS	LNET-655M		LNET-660M		LNET-665M		LNET-670M		LNET-675M	
	STC	NMOT	STC	NMOT	STC	NMOT	STC	NMOT	STC	NMOT
Maximum power (Pmax)	655W	498W	660W	502W	665W	506W	670W	510W	675W	514W
Open Circuit Voltage (Voc)	45.12V	41.38V	45.35V	41.56V	45.54V	41.74V	45.71V	41.92V	45.86V	42.10V
Short Circuit Current (Isc)	18.66A	15.54A	18.69A	15.58A	18.73A	15.62A	18.78A	15.66A	18.84A	15.70A
Voltage at Maximum power (Vmpp)	37.71V	34.25V	37.88V	34.43V	38.04V	34.61V	38.22V	34.79V	38.37V	34.97V
Current Maximum Power (Impp)	17.37A	14.54A	17.42A	14.58A	17.48A	14.62A	17.53A	14.66A	17.59A	14.70A
MODULE EFFICIENCY (%)	21.09%		21.25%		21.41%		21.57%		21.73%	

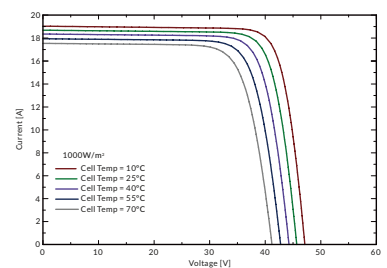
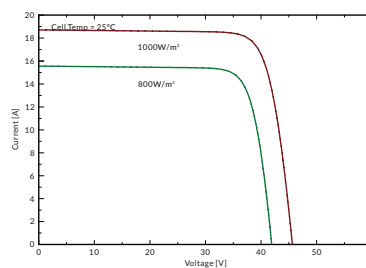
STC: Irradiance 1000W/m², cell temperature 25°C, AM1.5G NMOT: Irradiance 800W/m², ambient temperature 20°C, wind speed 1m/s, AM1.5G

PACKING CONFIGURATION

Container	40'HQ
Pieces per pallet	32
Pallets per container	18
Pieces per container	576

I-V CURVE

LNET-670M/I-V



OPERATING CHARACTERISTICS

Operating Module Temperature	-40°C to +85°C
Maximum System Voltage	1500 DC (IEC)
Maximum Series Fuse Rating	30A
Power Tolerance	0/+5W

TEMPERATURE CHARACTERISTICS

Nominal Operating Temperature (NMOT)	43±2°C
Temperature Coefficient of Pmax	-0.34%/°C
Temperature Coefficient of Voc	-0.25%/°C
Temperature Coefficient of Isc	+0.04%/°C

Note: The technical parameters included in this datasheet may have minor deviations, and Sunpal does not guarantee absolute accuracy. Due to ongoing product innovation and enhancements, Sunpal reserves the right to modify the information in this manual at any time without prior notice. Customers should obtain the latest version of the technical manual when signing the contract, and it shall be considered an integral part of the binding contract between the parties. Please note that qualified professionals should handle and install solar modules to ensure optimal module performance.